

Return to:

Ms. Cheryl Beauchine
PacifiCorp
555 North Main
Tooele, Utah 84074

E 184294 B 765 P 480
Date 15-JUL-2002 8:58am
Fee: No Fee Check
CALLEEN PESHELL, Recorder
Filed By LMO
For STANSBURY PARK IMPROVMENT
TOOELE COUNTY CORPORATION

April 11, 2002

CC#: 13145 PN#: 2056676

RIGHT OF WAY EASEMENT

For value received, Leucadia Financial Corp. dba Terracor, Inc ("Grantor"), hereby grants to PacifiCorp, an Oregon corporation, its successors and assigns, ("Grantee"), an easement for a right of way 10 feet in width and 1511 feet in length, more or less, for the construction, reconstruction, operation, maintenance, repair, replacement, enlargement, and removal of electric power transmission, distribution and communication lines and all necessary or desirable accessories and appurtenances thereto, including without limitation: supporting towers, poles, props, guys and anchor, including guys and anchors outside of the right of way; wires, fibers, cables and other conductors and conduits therefor; and pads, transformers, switches, vaults and cabinets, along the general course now located by Grantee on, over or under the surface of the real property of Grantor in Tooele County, State of Utah, more particularly described as follows and as more particularly described and/or shown on Exhibit(s) "A" attached hereto and by this reference made a part hereof:

A right of way 10 feet in width, being 5 feet on each side of the following described survey line:

Beginning at the southeasterly boundary fence of the Grantor's land, said fence also being the northwesterly right of way fence of U.S. Highway No. 40-50, at a point 656 feet south and 555 feet east, more or less, from the west one quarter corner of Section 16, T.2 S., R.4 W., S.L.M., thence N.25°56'W. 1511 feet, more or less, to the northwesterly boundary line of said land and being in the NW1/4 of the SW1/4, and the SW1/4 of the NW1/4 of said Section 16, and in the SE1/4 of the NE1/4 of Section 17, Township and Range aforesaid.

Assessor's Map No. Book 5, pg 34 Tax Parcel No. 5-34-6

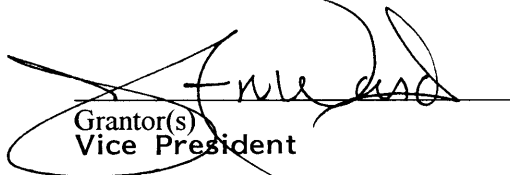
Together with the right of access to the right of way from adjacent lands of Grantor for all activities in connection with the purposes for which this easement has been granted; and together with the present and (without payment therefor) the future right to keep the right of way and adjacent lands clear of all brush, trees, timber, structures, buildings and other hazards which might endanger Grantee's facilities or impede Grantee's activities.

At no time shall Grantor place, use or permit any equipment or material of any kind that exceeds twelve (12) feet in height, light any fires, place or store any flammable materials (other than agricultural crops), on or within the boundaries of the right of way. Subject to the foregoing limitations, the surface of the right of way may be used for agricultural crops and other purposes

not inconsistent, as determined by Grantee, with the purposes for which this easement has been granted.

The rights and obligations of the parties hereto shall be binding upon and shall benefit their respective heirs, successors and assigns.

DATED this 29th day of April, 2002.



Grantor(s)
Vice President

REPRESENTATIVE ACKNOWLEDGMENT

STATE OF UTAH)

ss.

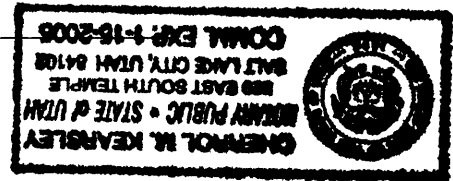
County of Salt Lake)

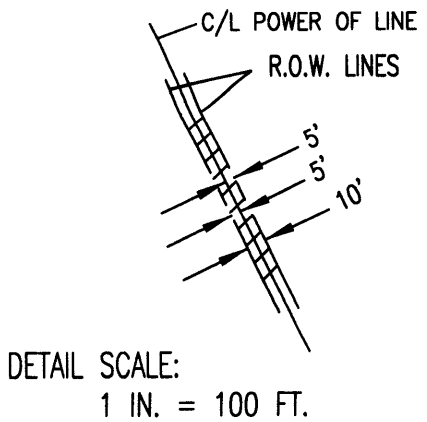
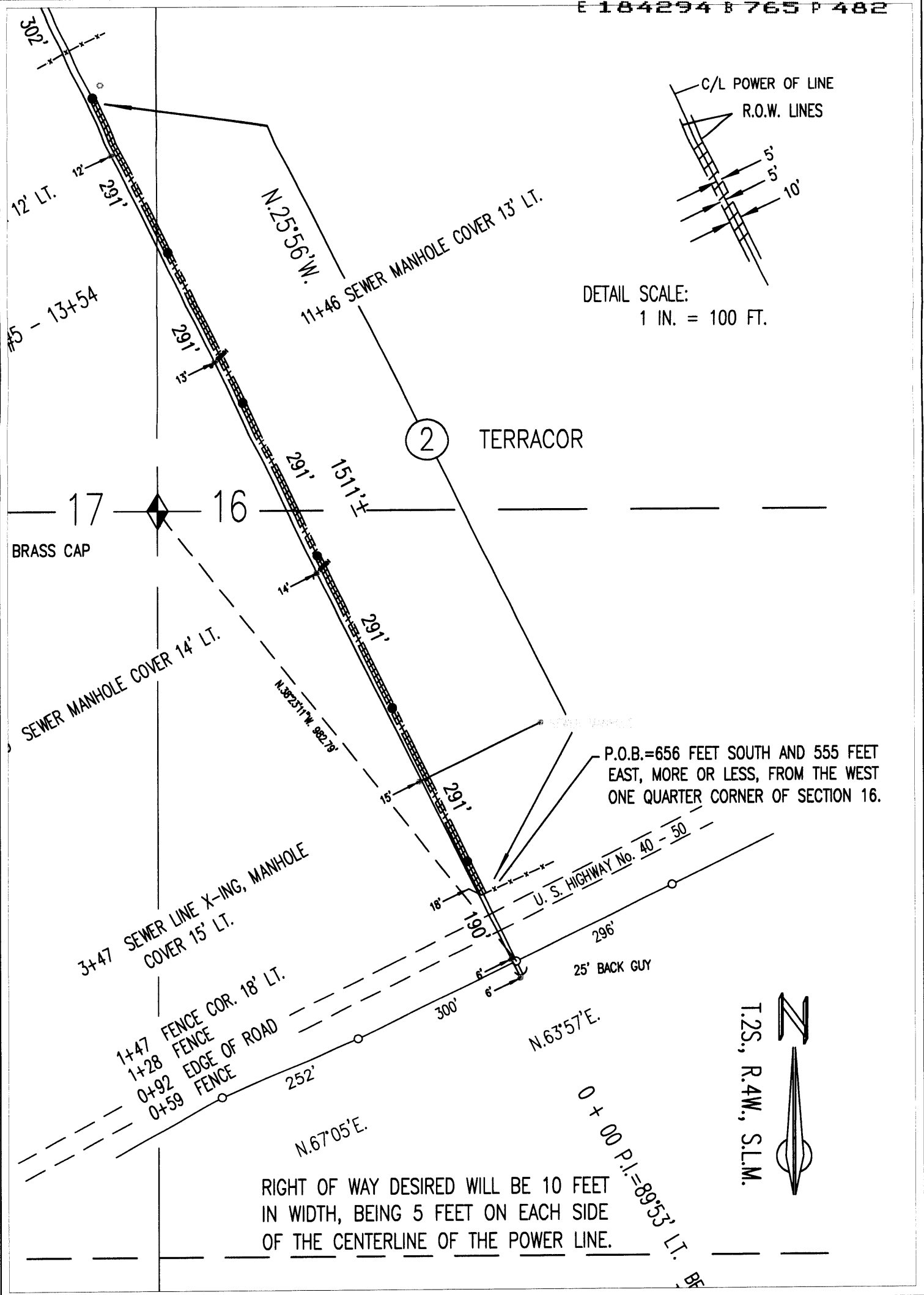
This instrument was acknowledged before me on this 29th day of April, 2002, by James N. Ward, as Vice President of Leucadia Financial Corporation dba, Terracor, Inc.



Notary Public

My commission expires:





P.O.B.=656 FEET SOUTH AND 555 FEET EAST, MORE OR LESS, FROM THE WEST ONE QUARTER CORNER OF SECTION 16.

RIGHT OF WAY DESIRED WILL BE 10 FEET IN WIDTH, BEING 5 FEET ON EACH SIDE OF THE CENTERLINE OF THE POWER LINE.



DATE: APRIL 10, 2002
SPONSOR: CHERYL BEAUHAINE
SURVEYED BY: U.P.&L. Co./R.A.S.
DRAWN BY: D. T. Boyd
CHECKED BY: D. T. Boyd
PLOT SCALE: 1 = 1
CAD No: R:\ROW\008F8Y01.DWG
APPROVAL JERRY H. ISAACSON
LEAD SENIOR ENGR. LINE & CIVIL DESIGN

EXHIBIT "A"
 OVERHEAD DISTRIBUTION LINE TO SERVE
 STANSBURY PARK SEWER LIFT STATION
 NEAR THE GATEWAY NEIGHBORHOOD & U.S. HIGHWAY No. 40-50
 EASEMENT No. 2
 STANSBURY PARK, TOOELE COUNTY, UTAH

	METRO AREA	
	SCALE: 1" = 200'	SHEET 1 OF 1
PN 2056676		REF. REV.