

When Recorded, please return to:
Murray City Attorneys' Office
P.O. Box 57520
Murray UT 84157

Parcel No. 21-12-327-015-0000

7907645
05/30/2001 09:58 AM NO FEE
Book - 8462 Ps - 2092-2101
GARY W. OTT
RECORDER, SALT LAKE COUNTY, UTAH
MURRAY CITY
PO BOX 57520
MURRAY UT 84157-0520
BY: RDJ, DEPUTY - MA 10 p.

EASEMENT

7907645

SECURITY NATIONAL LIFE INSURANCE COMPANY, Grantor, hereby grants and conveys to MURRAY CITY CORPORATION, a political subdivision of the State of Utah, Grantee, its successors and assigns, in consideration of TEN DOLLARS (\$10.00) and other good and valuable consideration, a certain perpetual easements and right-of-way for the installation and continued maintenance, repair, alteration and replacement of underground and/or overhead power lines and appurtenances of the Grantee, on, over, across and through the premises of the Grantor in Salt Lake County, State of Utah, more particularly described as follows:

A strip of land ten feet (10') in width being part of an entire tract of land as described by that certain Special Warranty Deed recorded as Entry No. 5445601 in Book 6613 Page 1742 of the Official Records of the Salt Lake County Recorder and situate in the Southwest Quarter of Section 12, Township 2 South, Range 1 West, Salt Lake Base and Meridian. Boundaries of said parcel are described as follows:

Beginning at a point which is 2861.73 feet N.43°10'10"E from the Southwest corner of said Section 12 and running thence N.81°00'59"E 10.00 feet; thence S.09°01'31"E 156.04 feet; thence N.80°58'29"E 7.76 feet; thence S.09°02'07"E 15.00 feet; thence S.80°58'29"W 7.76 feet; thence S.09°01'31" E 241.81 feet; thence S.04°55'33"E 136.08 feet; thence S.15°00'38"E 95.43 feet; thence N.80°59'30"E 7.62 feet; thence S.09°02'07"E 20.00 feet; thence S.80°59'30"W 7.63 feet; thence S.09°00'30"E 57.52 feet; thence N.80°59'30"E 7.66 feet; thence S.09°02'07"E 14.33 feet; thence S.80°59'30"W 7.67 feet; thence S.09°00'30"E 100.05 feet; thence S.09°56'48"E 58.85 feet; thence S.80°02'00" 10.00 feet; thence N.09°56'48"W 58.93 feet; thence N.09°00'03"W 191.46 feet; thence N.15°00'38"W 95.79 feet; thence N.04°55'33"W 136.60 feet; thence N.09°01'31"W 412.50 feet to the point of beginning. The above described part of an entire tract contains 9331 sq. ft. or 0.214 acres.

The attached sketch is incorporated by reference as a part of this easement.

The easement hereby granted consists of a perpetual right of ingress and egress together with a perpetual easement to construct, reconstruct, operate, repair, replace and maintain power lines and appurtenant structures on, over, across, and through a strip of land as herein described.

Together with all rights of ingress and egress necessary or convenient for the full and complete use, occupation and enjoyment of the easement granted and all rights and privileges incident thereto, with Grantee's use, occupation or enjoyment of this easement.

BK8462PG2092

Grantee agrees to hold and save the Grantor harmless from any and all damages arising from its use of the right, easement, and right-of-way herein granted and agrees to repair any damage or pay the reasonable value of said damages, at Grantee's option, which may arise to the premises through Grantee's use, occupation and possession of the rights herein granted.

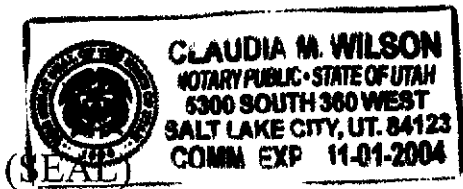
DATED this 21st day of May, 2001.

[Signature]
BY:

Vice President
ITS:

STATE OF UTAH)
COUNTY OF SALT LAKE)

On this 21st day of May, 2001,
personally appeared before me Jessam. Quinn,
signer of the foregoing instrument, who duly acknowledged to me that
the executed the same.



Claudia M. Wilson
NOTARY PUBLIC
Residing in Salt Lake County, Utah

BK8462Pg2093

NARRATIVE

The purpose of this survey is to describe a parcel of land for an underground powerline easement situate in the Southwest Quarter of Section 12, Township 2 South, Range 1 West, Salt Lake Base and Meridian. Basis of Bearing and horizontal control is the line between the West Quarter Corner of Section 13 and the Southwest Corner of said Section 12 as shown hereon. The Salt Lake County Area Reference Plat for said Section 12 and 13 were used as a resource.

SURVE

certify
Licens
that I

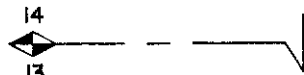
TEN-FOOT UNDERGROUND POWER EASEMENT DESCRIPTION

A strip of land ten feet (10') in width being part of an entire tract of land as described by that certain Special Warranty Deed recorded as Entry No.5445601 in Book 6613 Page 1742 of the Official Records of the Salt Lake County Recorder and situate in the Southwest Quarter of Section 12, Township 2 South, Range 1 West, Salt Lake Base and Meridian. Boundaries of said parcel are described as follows:

Beginning at a point which is 2861.73 feet N.43°10'10"E from the Southwest corner of said Section 12 and running thence N.81°00'59"E 10.00 feet; thence S.09°01'31"E 156.04 feet; thence N.80°58'29"E 7.76 feet; thence S.09°02'07"E 15.00 feet; thence S.80°58'29"W 7.76 feet; thence S.09°01'31"E 241.81 feet; thence S.04°55'33"E 136.08 feet; thence S.15°00'38"E 95.43 feet; thence N.80°59'30"E 7.62 feet; thence S.09°02'07"E 20.00 feet; thence S.80°59'30"W 7.63 feet; thence S.09°00'30"E 57.52 feet; thence N.80°59'30"E 7.66 feet; thence S.09°02'07"E 14.33 feet; thence S.80°59'30"W 7.67 feet; thence S.09°00'30"E 100.05 feet; thence S.09°56'48"E 58.85 feet; thence S.80°02'00" 10.00 feet; thence N.09°56'48"W 58.93 feet; thence N.09°00'30"W 191.46 feet; thence N.15°00'38"W 95.79 feet; thence N.04°55'33"W 136.60 feet; thence N.09°01'31"W 412.50 feet to the point of beginning. The above described part of an entire tract contains 9331 sq. ft. or 0.214 acres.

BUILDING A
5278 S.

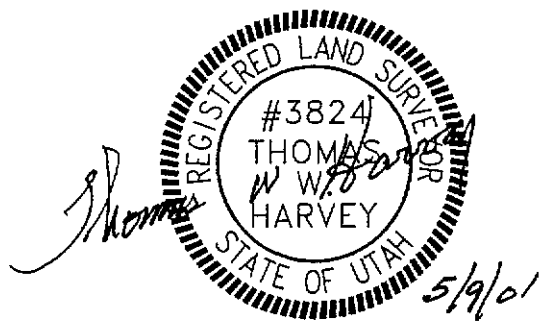
BK8462PG2094



W. 1/4 COR.
OF SEC. 13
T.2S.,R.1W., SLB&M

REGISTERED LAND SURVEYOR'S CERTIFICATION

Thomas W. Harvey, of Salt Lake City, Utah, do hereby certify that I am a Registered Land Surveyor and that I hold License No. 3824 as prescribed by the State of Utah, and I supervised a survey of the above described Easement.



NOT VALID UNLESS SIGNED

SECURITY NUMBER
ENTRY NO.

BK8462PG2095

BUILDING B
5258 S.

BUILDING C
5248 S.

GREENPINE DRIVE
(5245 S.)

BUILDING 1
5245 S.

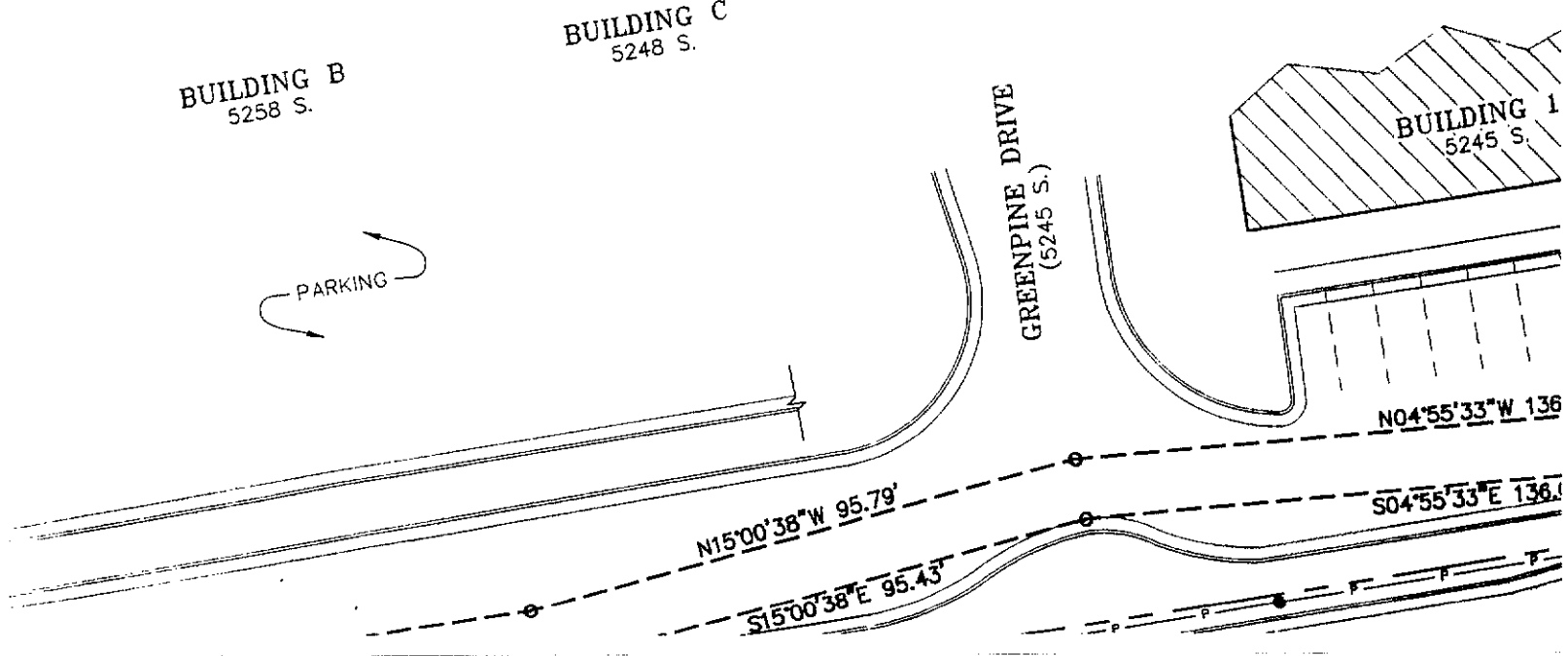


N15°00'38"W 95.79'

S15°00'38"E 95.43'

N04°55'33"W 136.0'

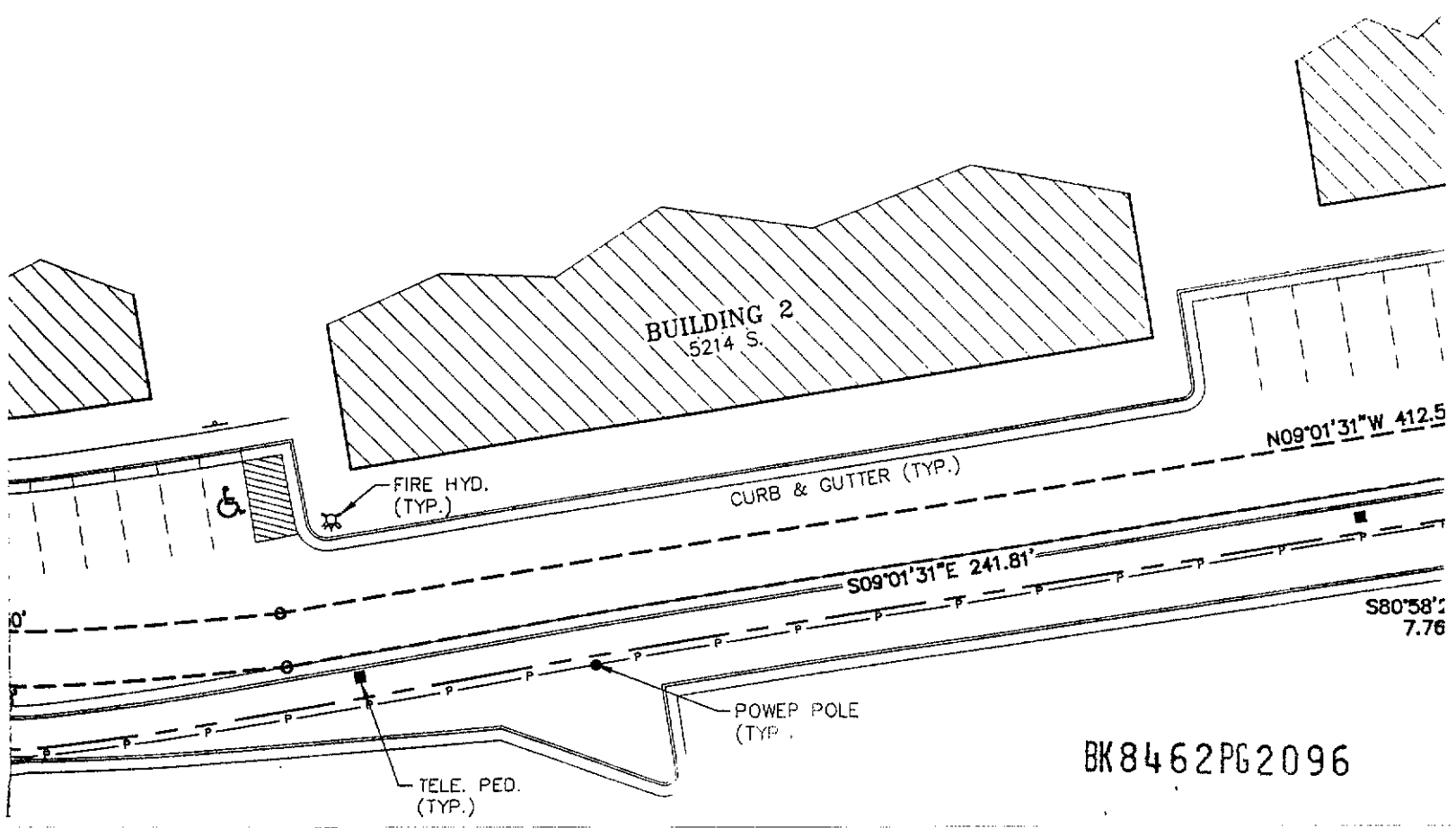
S04°55'33"E 136.0'



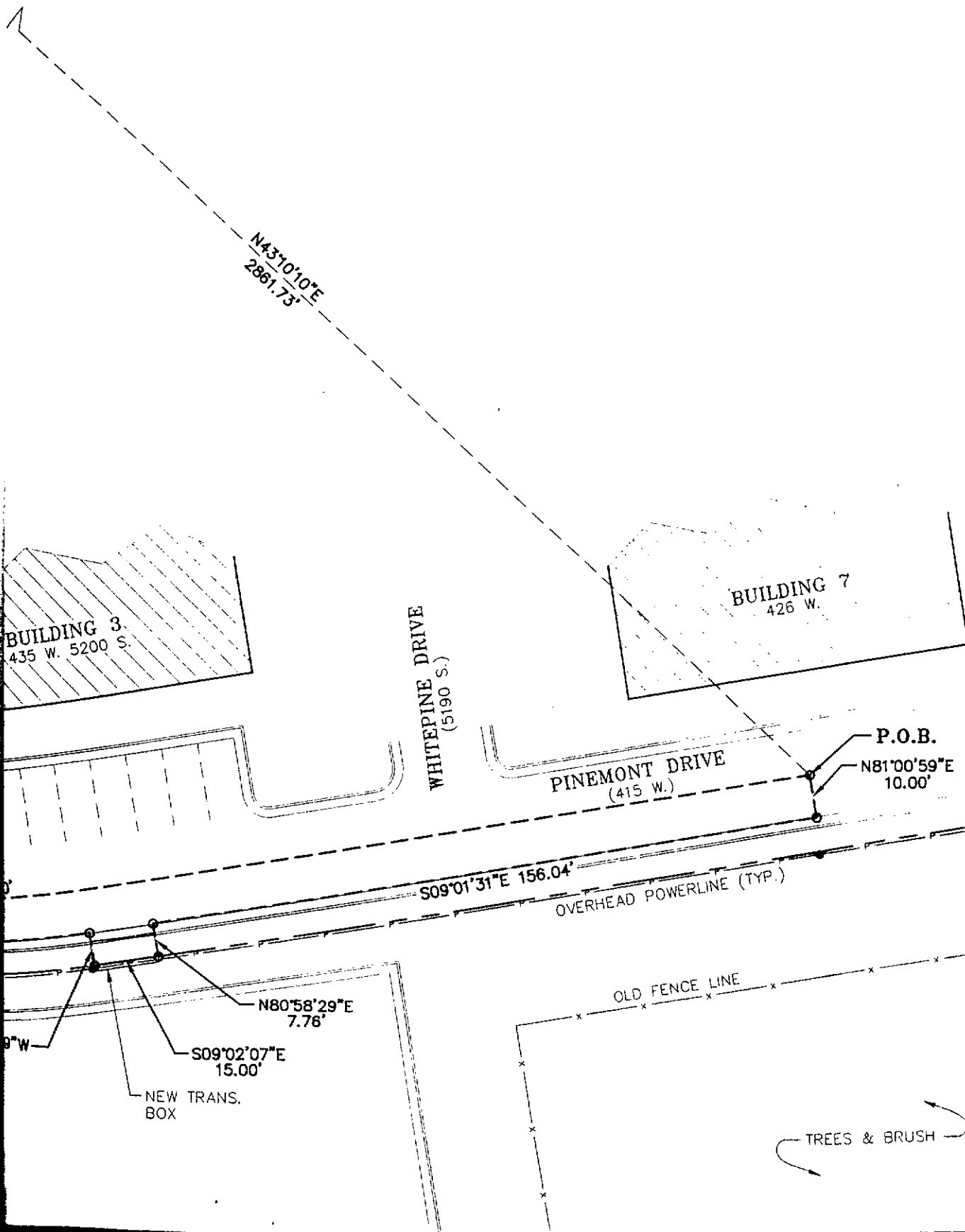
BASIS OF BEARINGS
00°14'20"E 2640.17'

14 11
13 12
FND. MON.
SW SEC. 12
T.2S.,R.1W., SLB&M

PARCEL
21-12-376-015
NATIONAL LIFE INSURANCE COMPANY
445601, BOOK 6613, PAGE 1742



BK 8462 PG 2096



BK8462PG2097

TRANS.

S80°02'00"W
10.00'

N09°56'48"W 58.93'

S09°56'48"E 58.85'

S09°00'30"E 100.05'

S80°59'30"W 7.67'

N09°00'30"

EXISTING
TRANS.
BOX

"Engineering with Distinction"

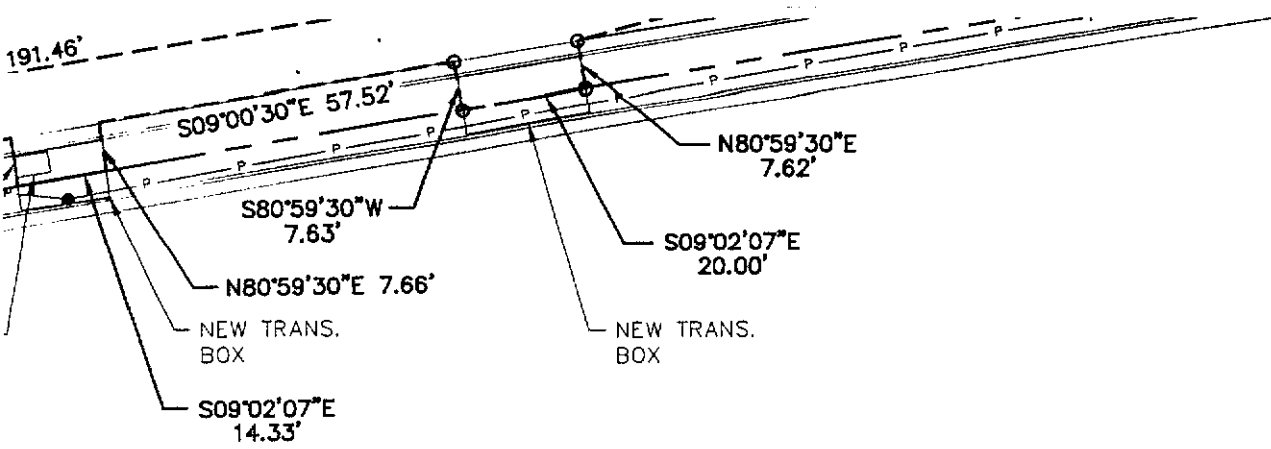


ELECTRICAL
CONSULTANTS, INC.

WOODS CROSS, UTAH

NO

BK8462PG2098



UNIVERSITY
OF
PHOENIX

REVISION	DATE	BY	APR

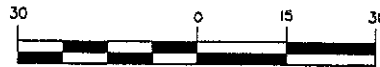


MU

BK 8462 PG 2099



GRAPHIC SCALE



(IN FEET)
1 inch = 30 ft.

RAY CITY POWER
Murray, Utah

ENGINEERING RECORD		DATE
DRAWN	<i>GHH</i>	5/03/01
DESIGNED		
CHECKED	<i>KsT</i>	5/03/01
APPROVED		
DWG SCALE: 1" = 30'	PLT SCALE: 1" = 30'	

FILE

BK8462PG2100

UNDERGROUND POWERLINE EASEMENTS
415 WEST 5300 SOUTH
MURRAY, UTAH

0 : MCP-034 SHEET 1 OF 2 REVISION NO : 1

BK8462PG2101