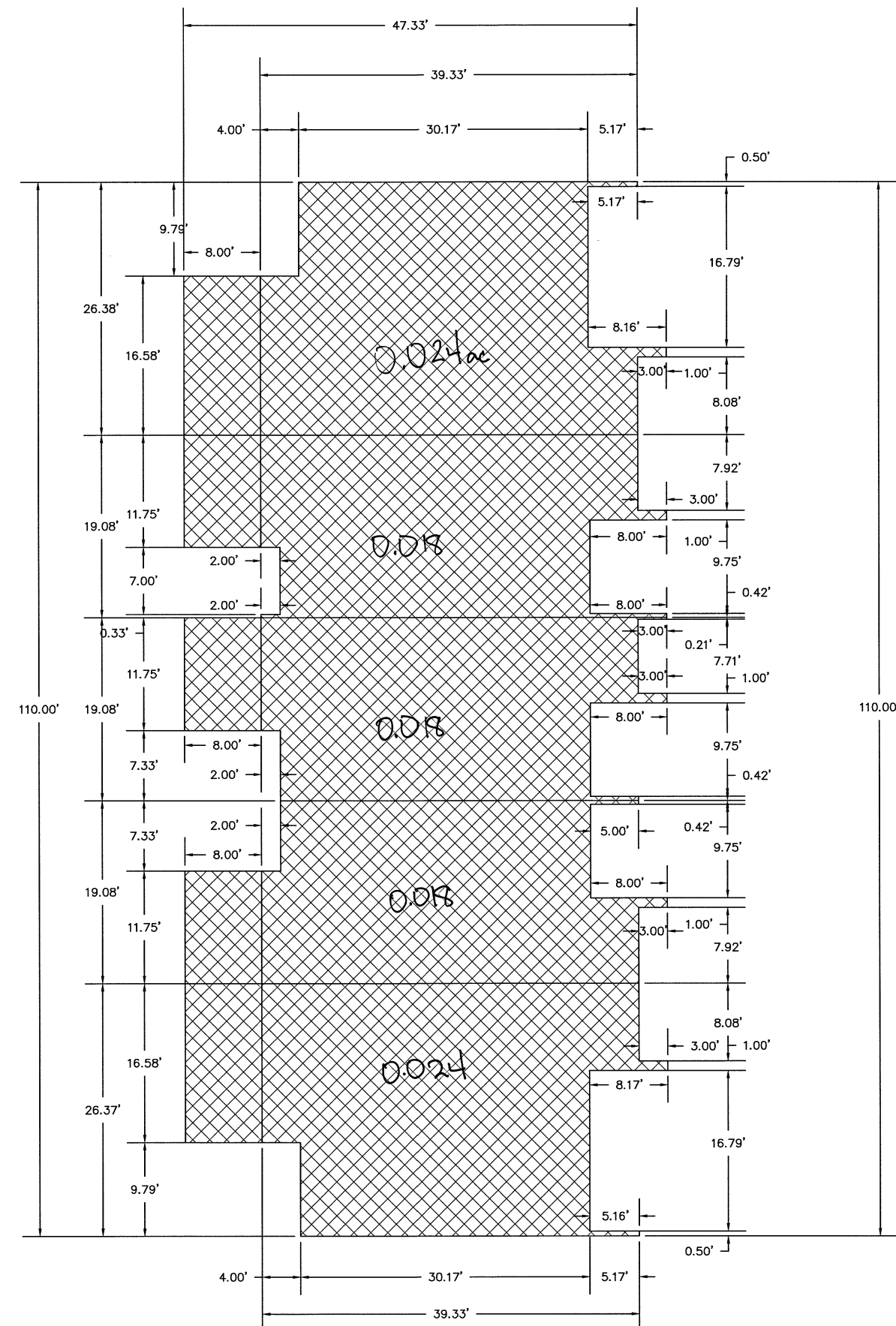




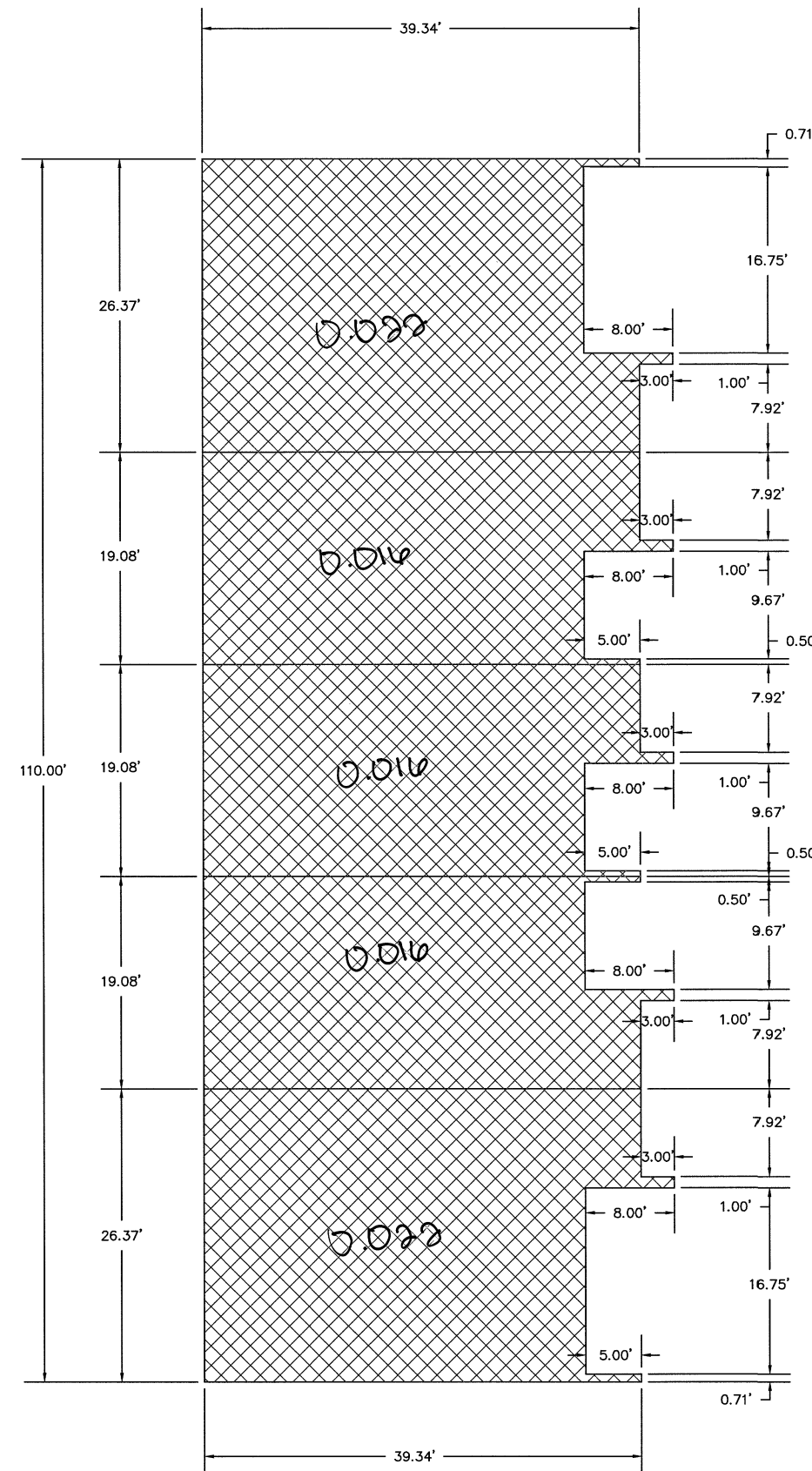
# STERLING HEIGHTS

## AMENDING SOUTH MOUNTAIN SUBDIVISION PHASE 2E

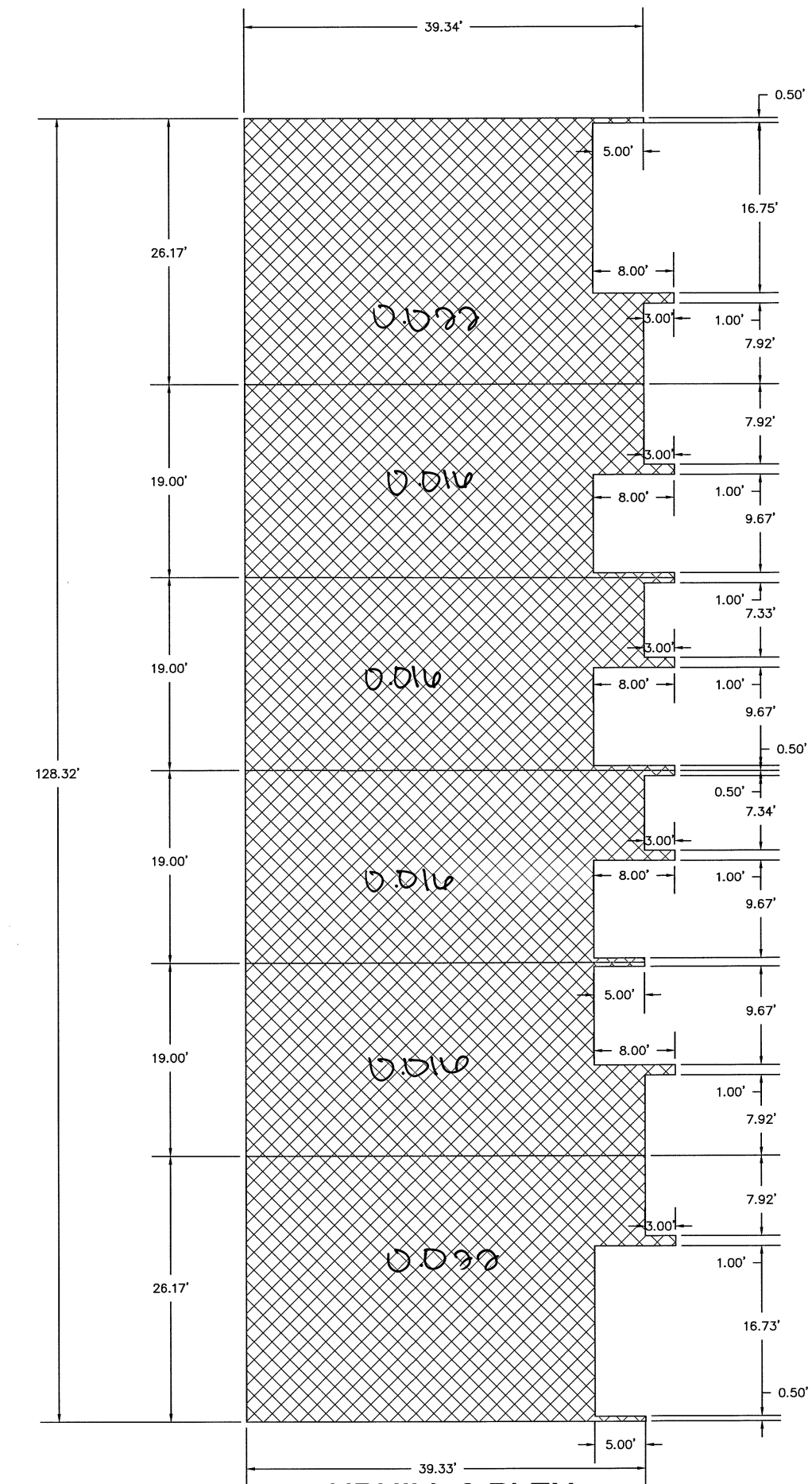
LOCATED IN THE NORTH HALF OF SECTION 7,  
TOWNSHIP 4 SOUTH, RANGE 1 EAST, SALT LAKE BASE AND MERIDIAN  
SALT LAKE COUNTY, UTAH  
FINAL PLAT  
SHEET 2 OF 2  
2017



**DOWNHILL 5-PLEX**  
SCALE: 1" = 10'  
0.10 AC  
BUILDINGS 6,7,8,9,10 AND 11



**UPHILL 5-PLEX**  
SCALE: 1" = 10'  
0.09 AC  
BUILDINGS 1, 2 AND 3



**UPHILL 6-PLEX**  
SCALE: 1" = 10'  
0.11 AC  
BUILDINGS 4 AND 5

**LEGEND**

PRIVATE AREAS



14721 SOUTH HERITAGE CREST WAY  
BLUFFDALE, UTAH 84004  
801-882-8112  
WWW.WILDINGENGINEERING.COM

G:\DATA\15310 Sterling Villages\dwg\15310 Plat.dwg  
PLOT DATE: Apr 19, 2017

**STERLING HEIGHTS**  
AMENDING SOUTH MOUNTAIN SUBDIVISION PHASE 2E  
LOCATED IN THE NORTH HALF OF SECTION 7,  
TOWNSHIP 4 SOUTH, RANGE 1 EAST, SALT LAKE BASE AND MERIDIAN  
SALT LAKE COUNTY, UTAH

**SALT LAKE COUNTY RECORDER**

STATE OF UTAH, COUNTY OF SALT LAKE, RECORDED AND FILED AT THE  
REQUEST OF Building Group  
DATE 1/03/18 ENTRY 12490674 BOOK 2018 P PAGE 002

\$ 120.00  
FEE

*W. Wilding*  
SALT LAKE COUNTY RECORDER *Opady*